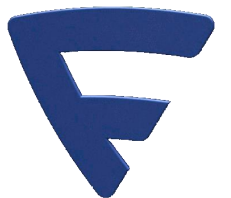
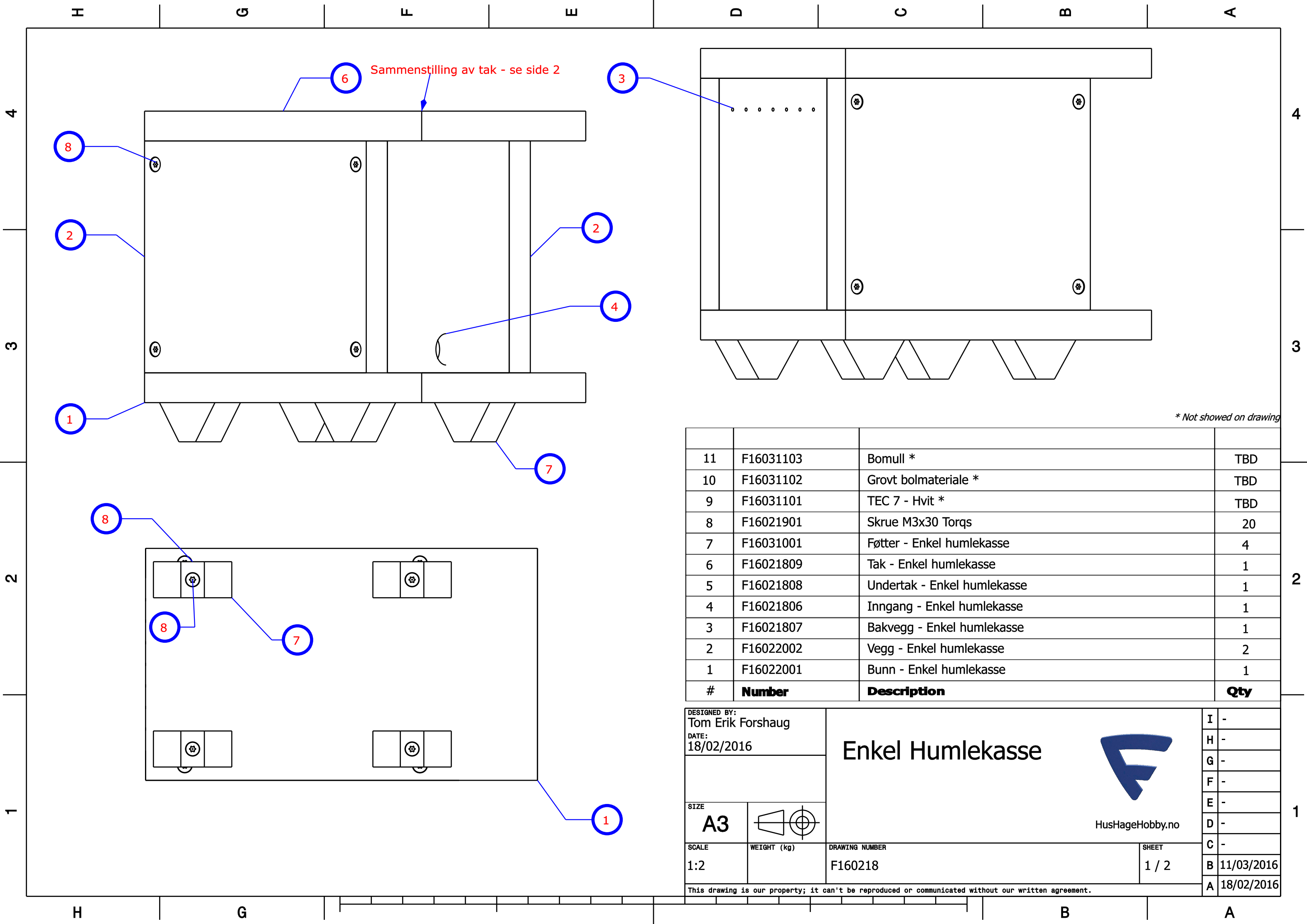


Enkel Humlekasse





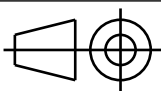
#	Number	Description	Qty
11	F16031103	Bomull *	TBD
10	F16031102	Grovt bolmateriale *	TBD
9	F16031101	TEC 7 - Hvit *	TBD
8	F16021901	Skrue M3x30 Torqs	20
7	F16031001	Føtter - Enkel humlekasse	4
6	F16021809	Tak - Enkel humlekasse	1
5	F16021808	Undertak - Enkel humlekasse	1
4	F16021806	Inngang - Enkel humlekasse	1
3	F16021807	Bakvegg - Enkel humlekasse	1
2	F16022002	Vegg - Enkel humlekasse	2
1	F16022001	Bunn - Enkel humlekasse	1

DESIGNED BY:
Tom Erik Forshaug
DATE:
18/02/2016

Enkel Humlekasse



HusHageHobby.no

SIZE A3		DRAWING NUMBER F160218	SHEET 1 / 2
SCALE 1:2	WEIGHT (kg)		

I -
H -
G -
F -
E -
D -
C -
B 11/03/2016
A 18/02/2016

This drawing is our property; it can't be reproduced or communicated without our written agreement.

H G F E D C B A

4

4

3

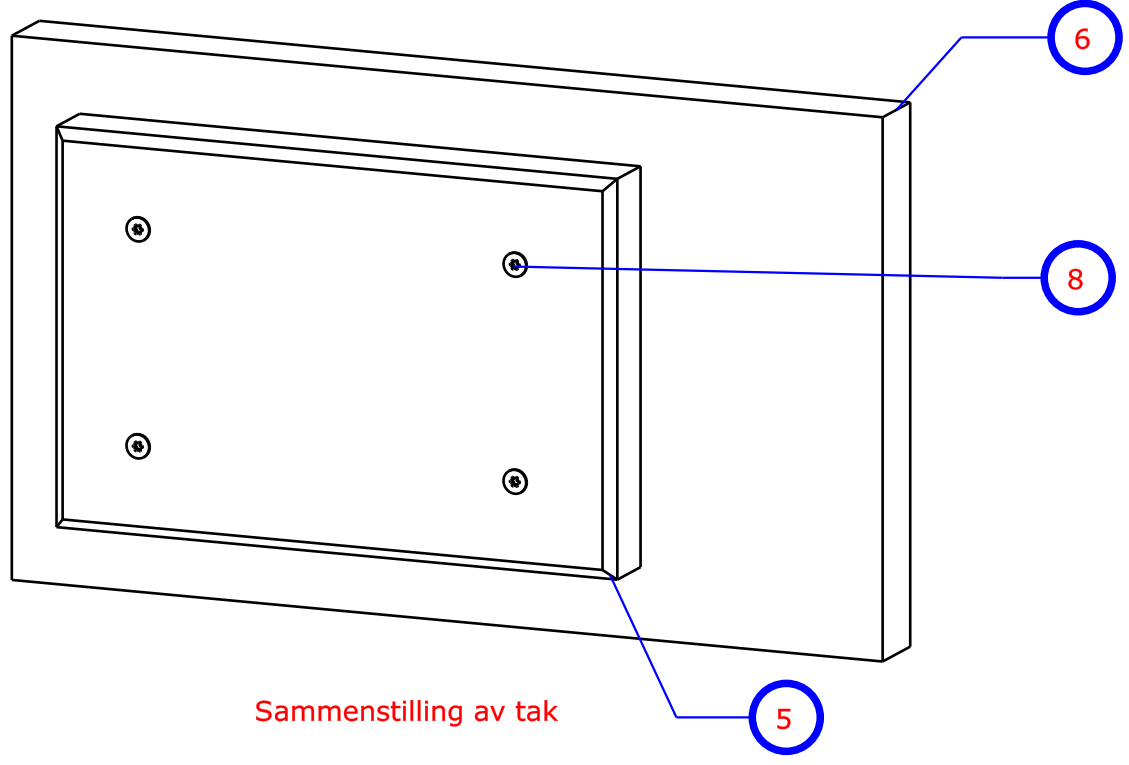
3

2

2

1

1



Sammenstilling av tak

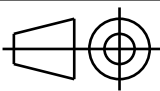
DESIGNED BY:
Tom Erik Forshaug
DATE:
18/02/2016

Enkel Humlekasse



HusHageHobby.no

SIZE
A3



SCALE
1:2

WEIGHT (kg)

DRAWING NUMBER
F160218

SHEET
2 / 2

I	-
H	-
G	-
F	-
E	-
D	-
C	-
B	11/03/2016
A	18/02/2016

This drawing is our property; it can't be reproduced or communicated without our written agreement.

H G B A

H G F E D C B A

4

3

2

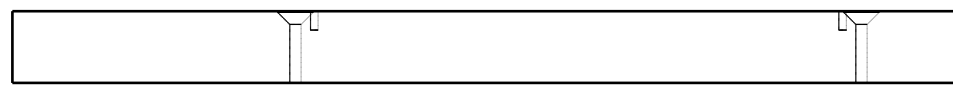
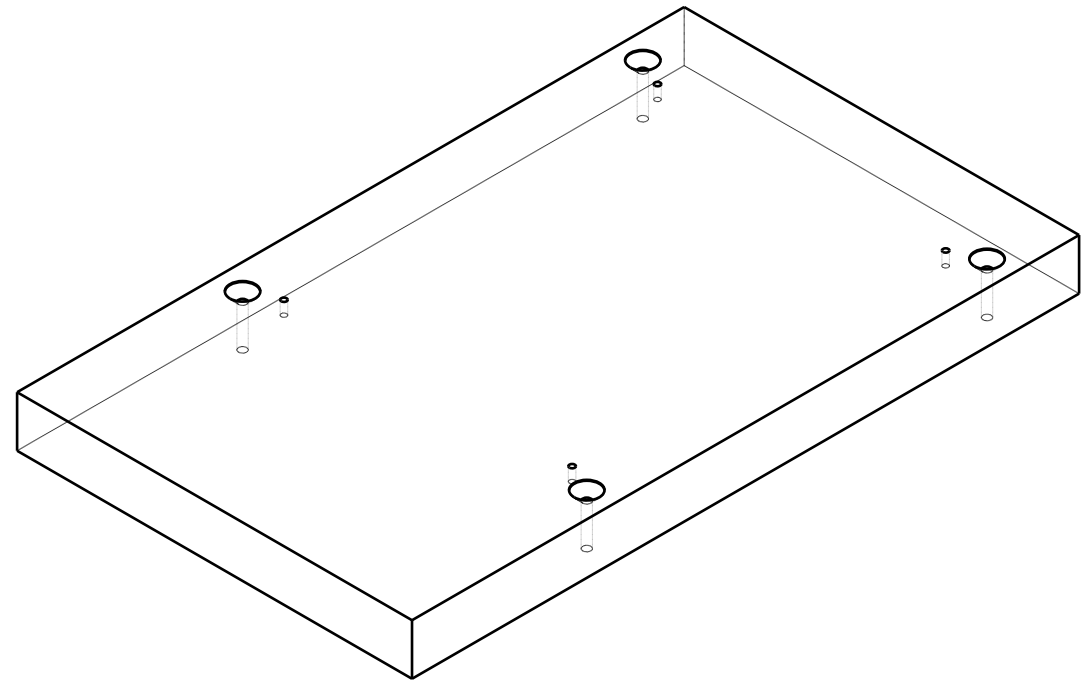
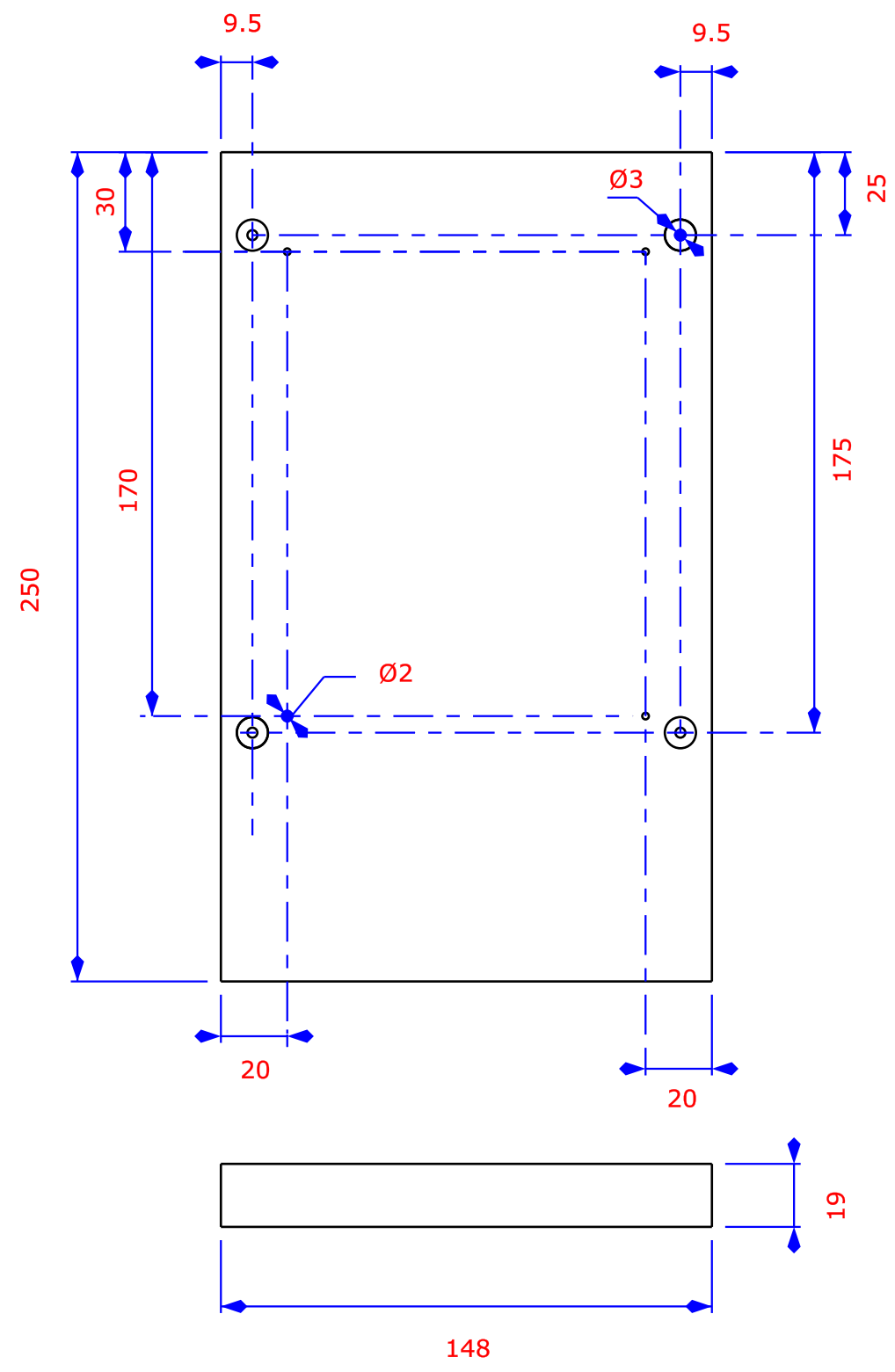
1

4

3

2

1

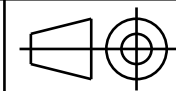


DESIGNED BY:
Tom Erik Forshaug
DATE:
20/02/2016

Bunn
Enkel humlekasse



SIZE
A3



SCALE
1:2

WEIGHT (kg)

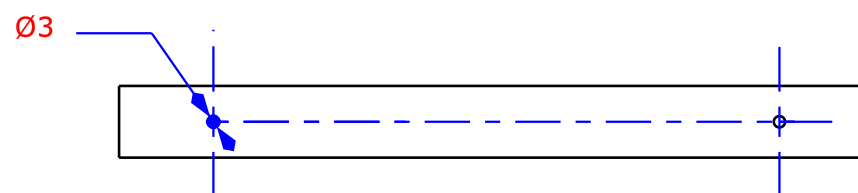
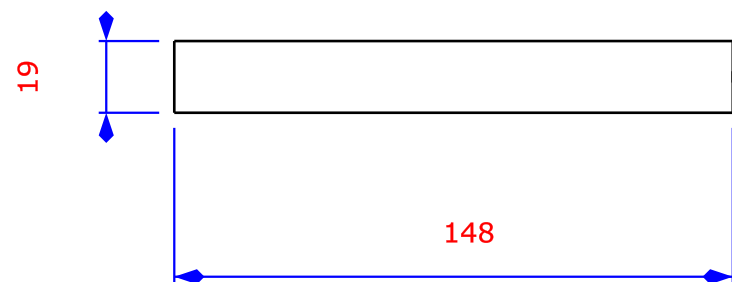
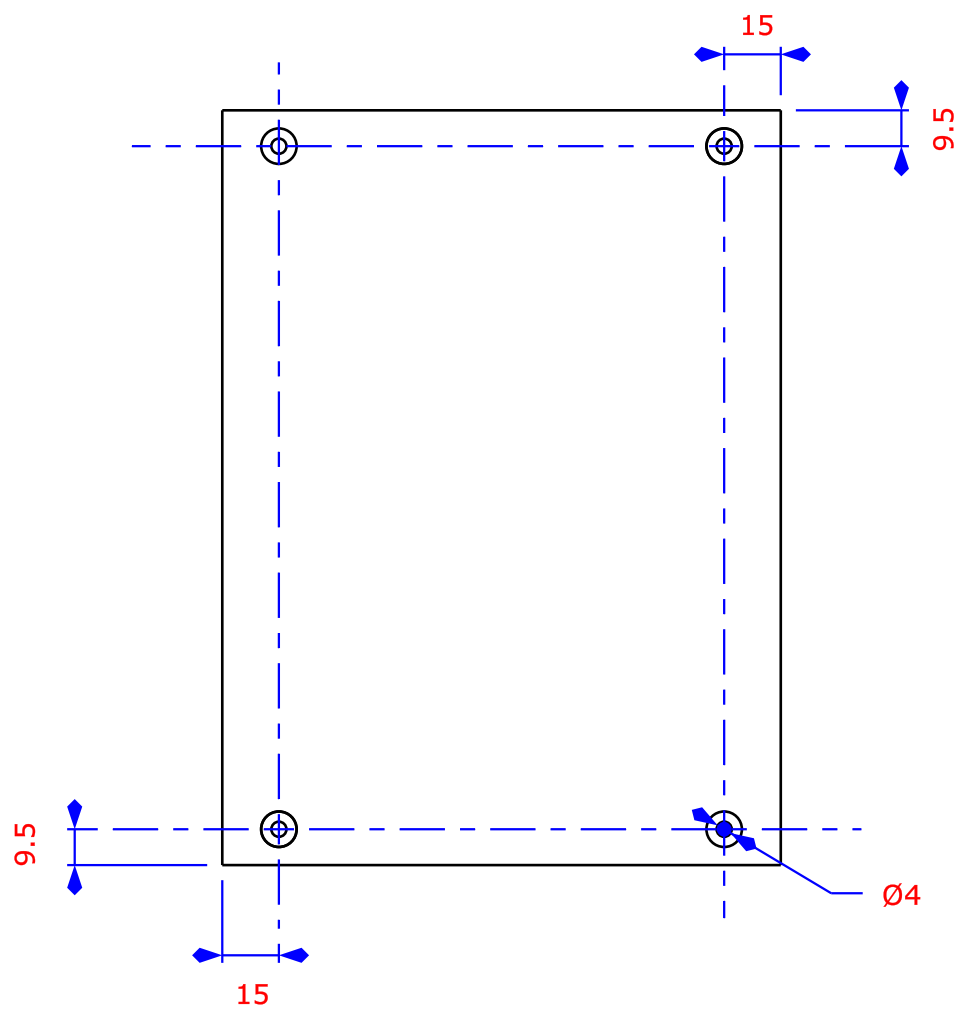
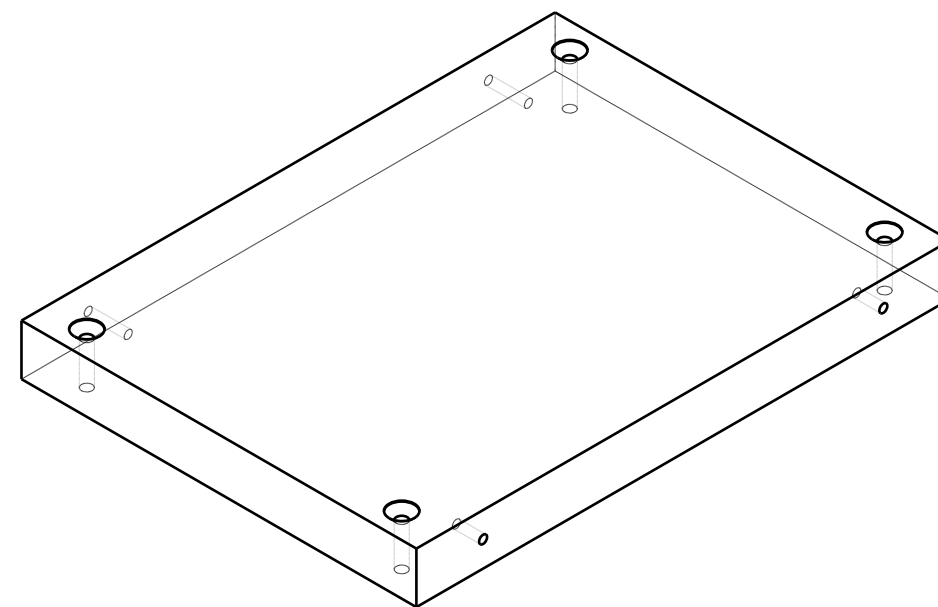
DRAWING NUMBER
F16022001

SHEET
1/1

I	-
H	-
G	-
F	-
E	-
D	-
C	-
B	10/03/2016
A	20/02/2016

This drawing is our property; it can't be reproduced or communicated without our written agreement.

H G B A



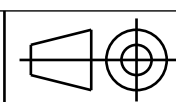
DESIGNED BY:
Tom Erik Forshaug
DATE:
22/02/2016

Vegg
Enkel humlekasse



HusHageHobby.no

SIZE
A3



SCALE
1:2

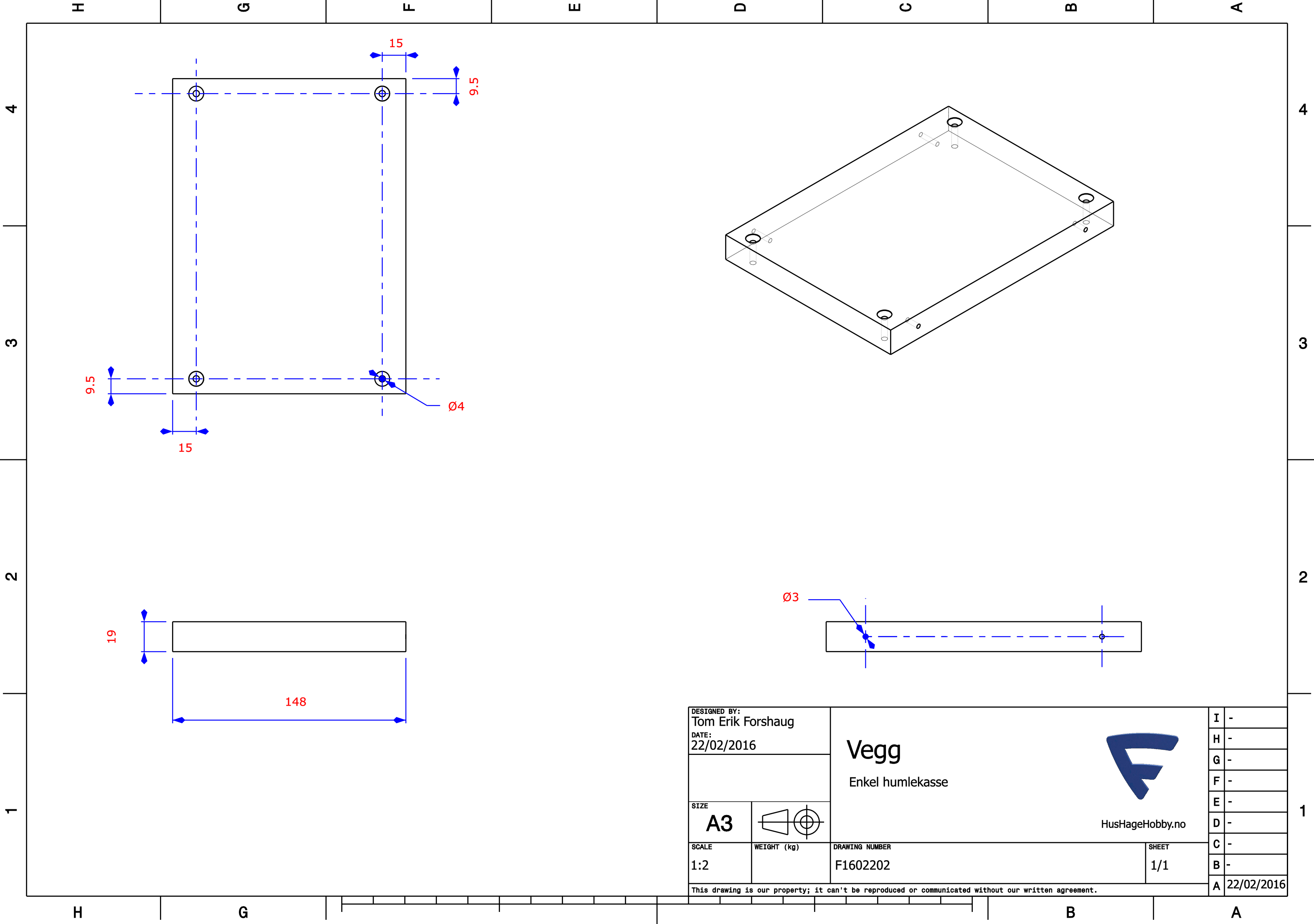
WEIGHT (kg)

DRAWING NUMBER
F1602202

SHEET
1/1

This drawing is our property; it can't be reproduced or communicated without our written agreement.

I	-
H	-
G	-
F	-
E	-
D	-
C	-
B	-
A	22/02/2016



H G F E D C B A

4

3

2

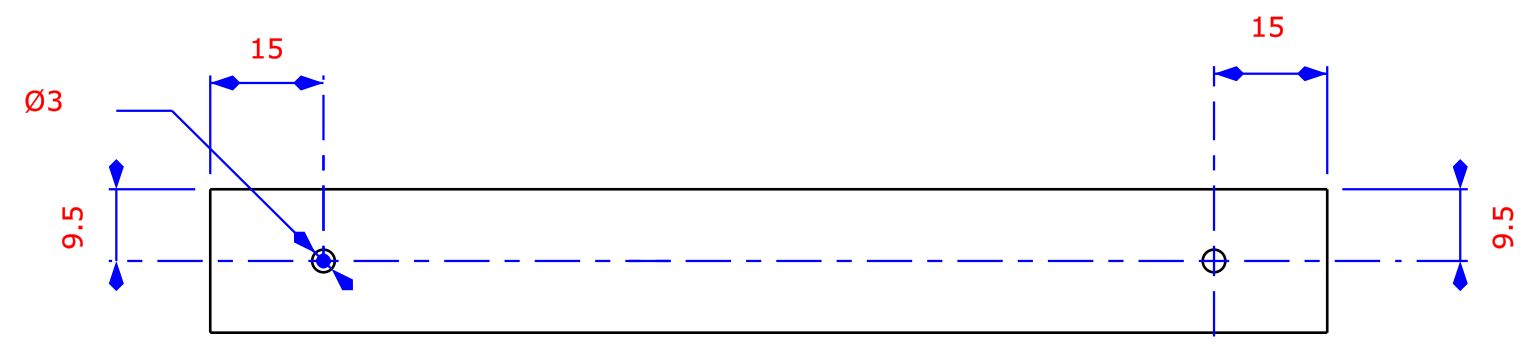
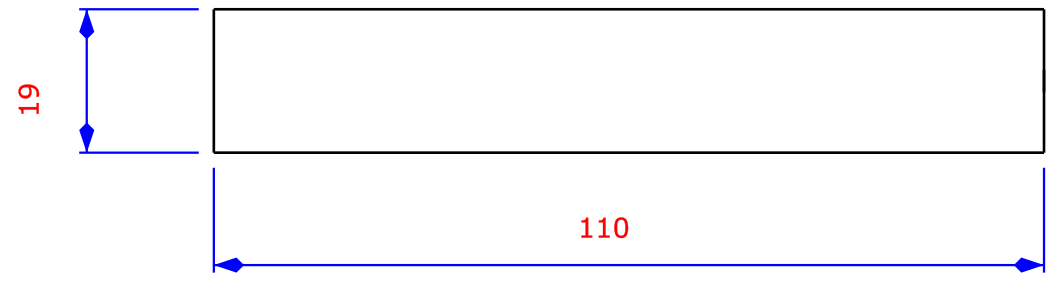
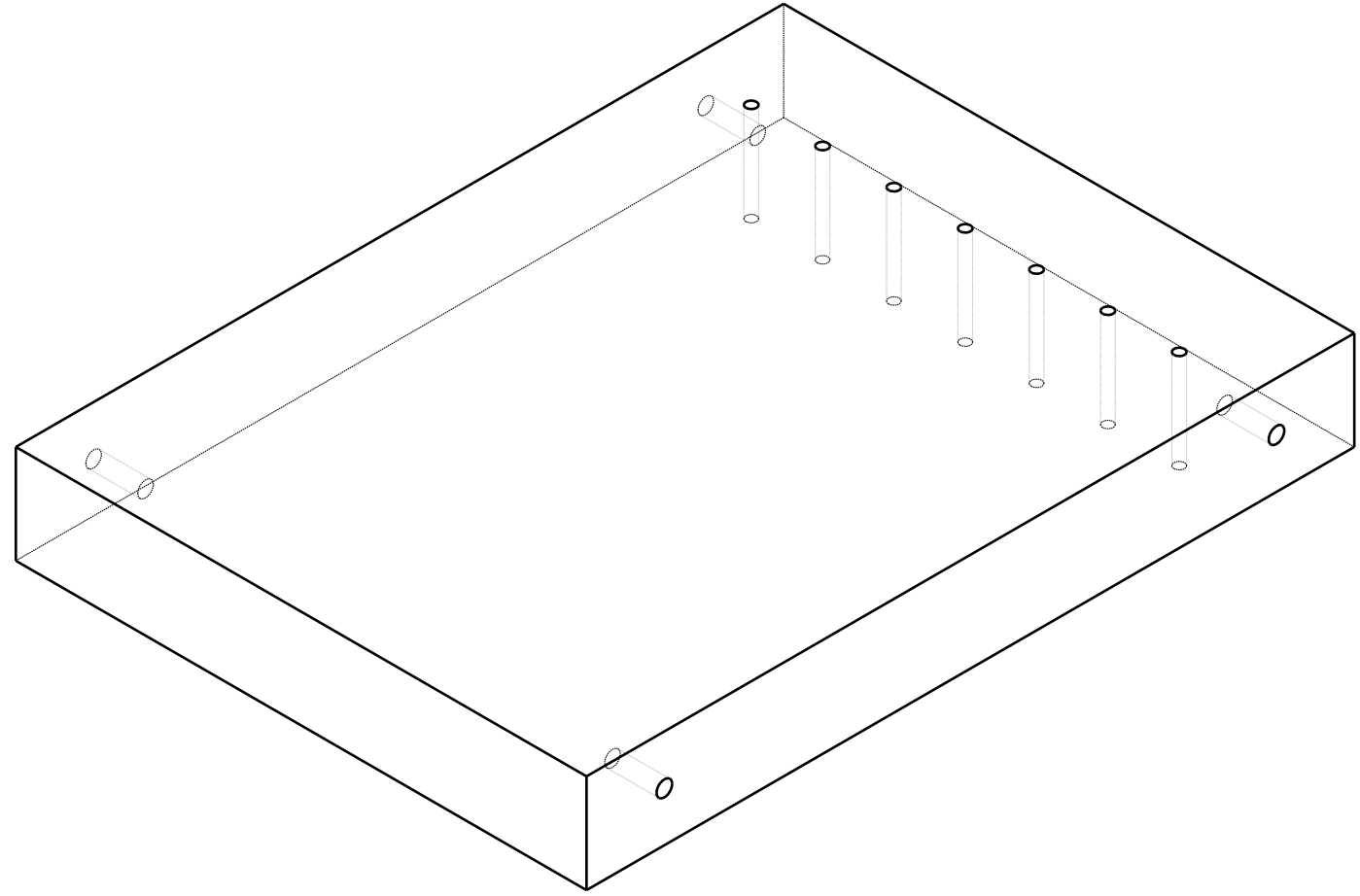
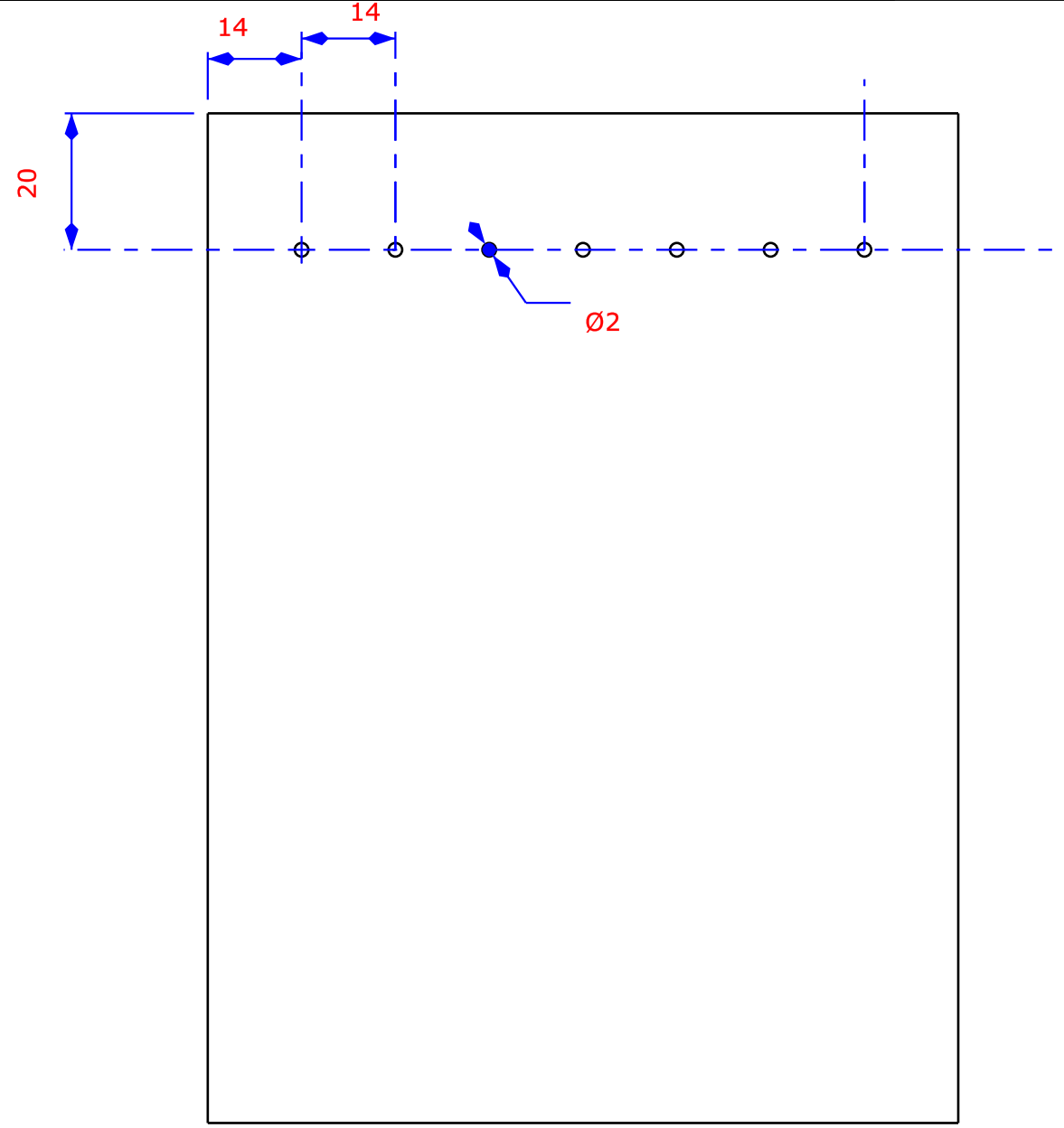
1

4

3

2

1



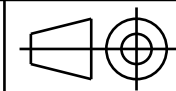
DESIGNED BY:
Tom Erik Forshaug
DATE:
18/02/2016

Bakvegg



HusHageHobby.no

SIZE
A3



Enkel humlekasse

SCALE
1:1

WEIGHT (kg)

DRAWING NUMBER
F16021807

SHEET
1/1

I	-
H	-
G	-
F	-
E	-
D	-
C	-
B	-
A	18/02/2016

This drawing is our property; it can't be reproduced or communicated without our written agreement.

H G B A

H G F E D C B A

4

3

2

1

4

3

2

1

148

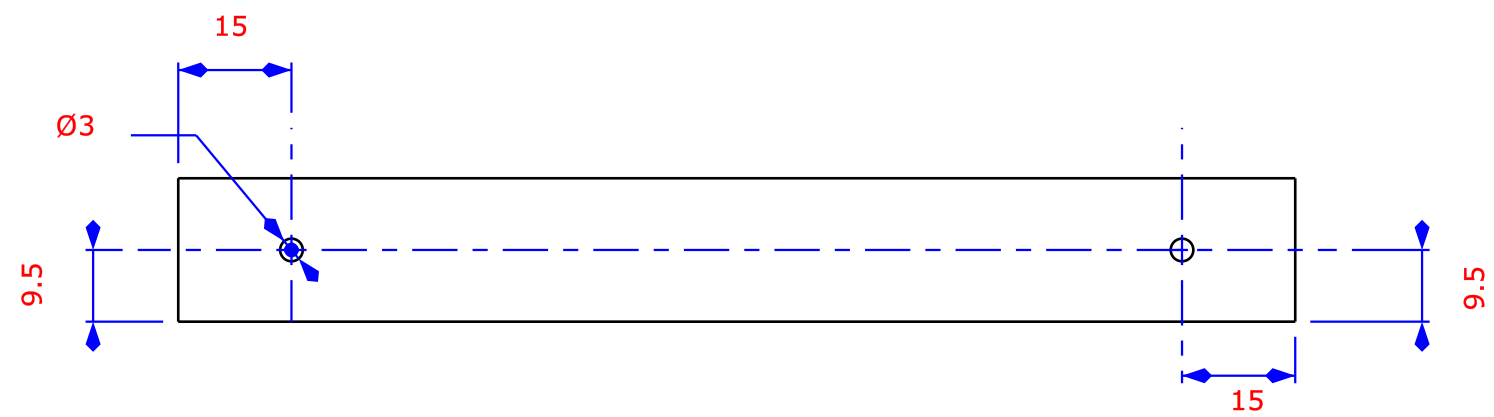
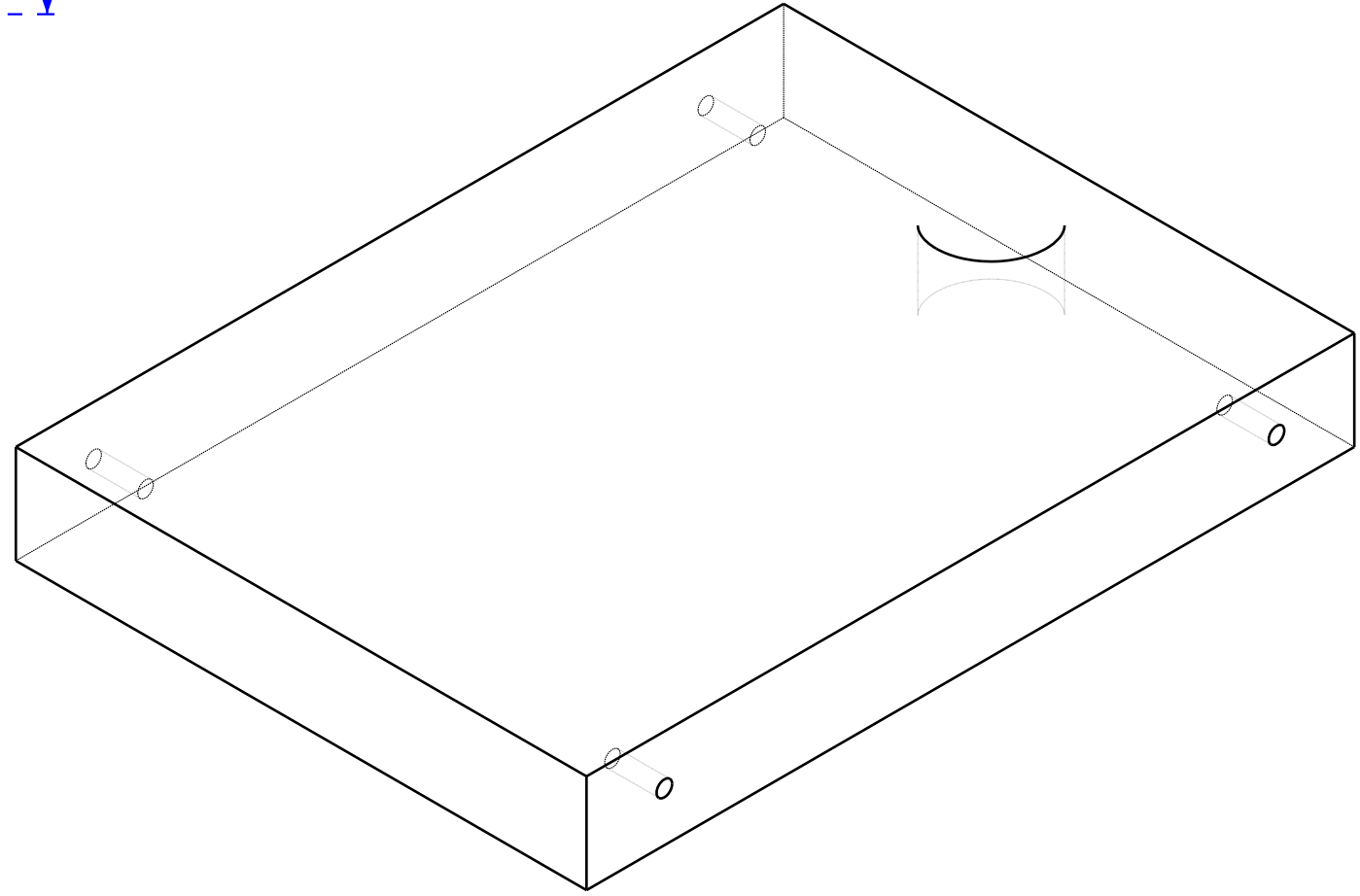
55

15

Ø20

19

110



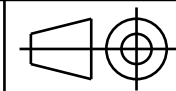
DESIGNED BY:
Tom Erik Forshaug
DATE:
18/02/2016

Inngang



HusHageHobby.no

SIZE
A3



Enkel humlekasse

SCALE
1:1

WEIGHT (kg)

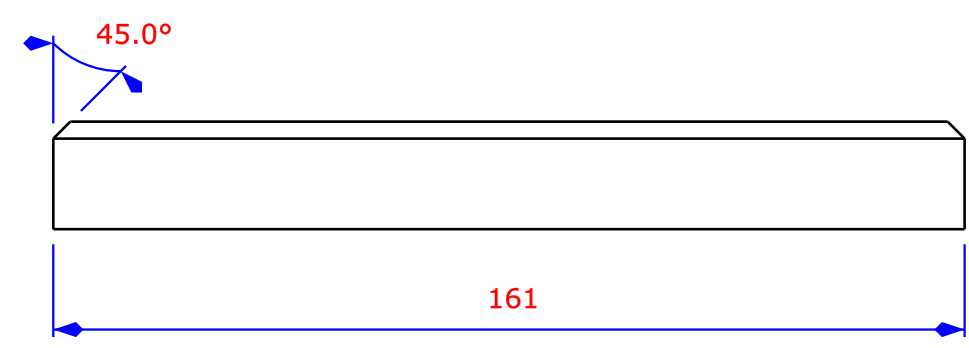
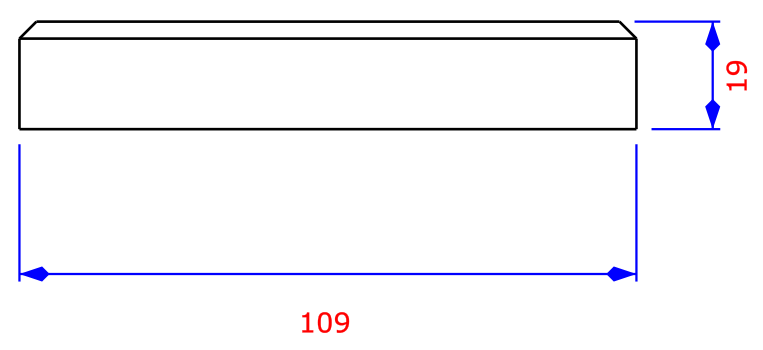
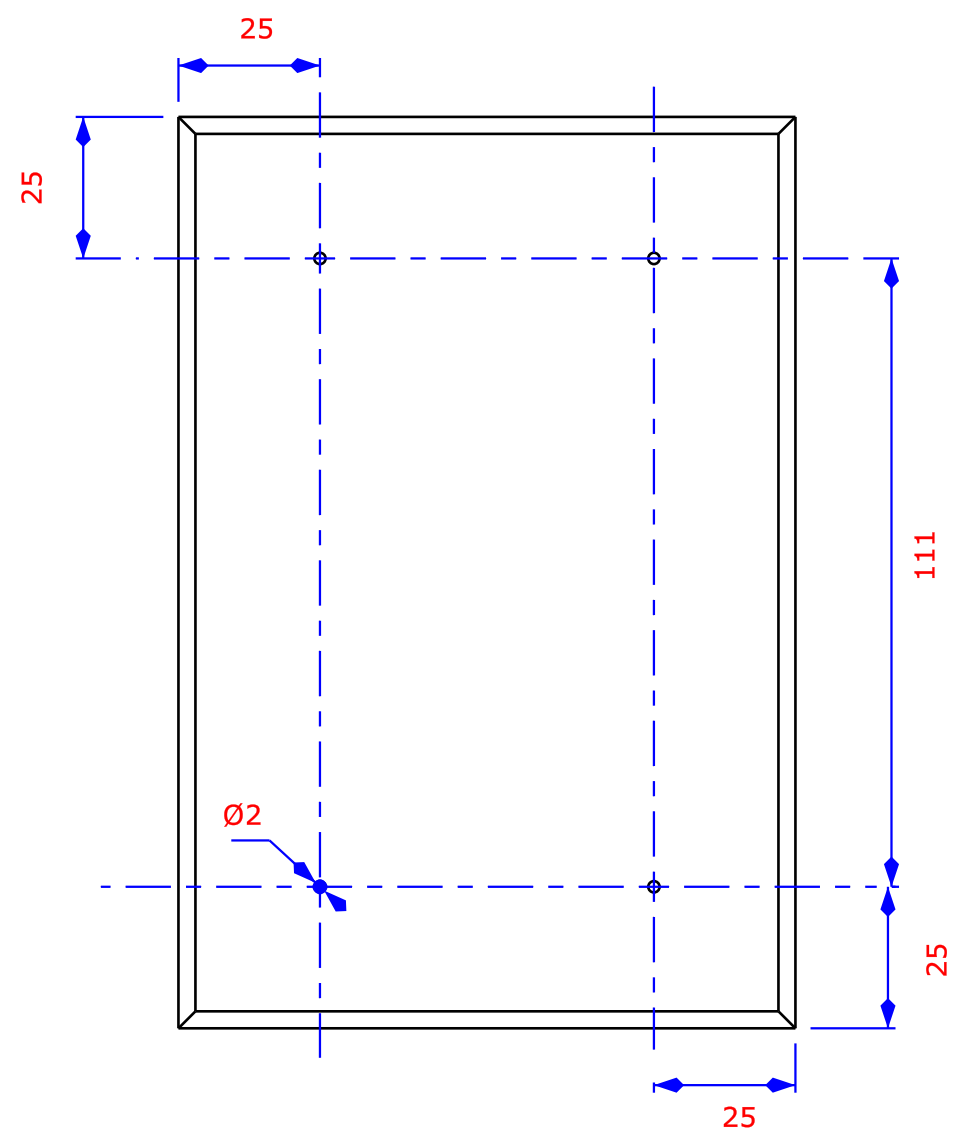
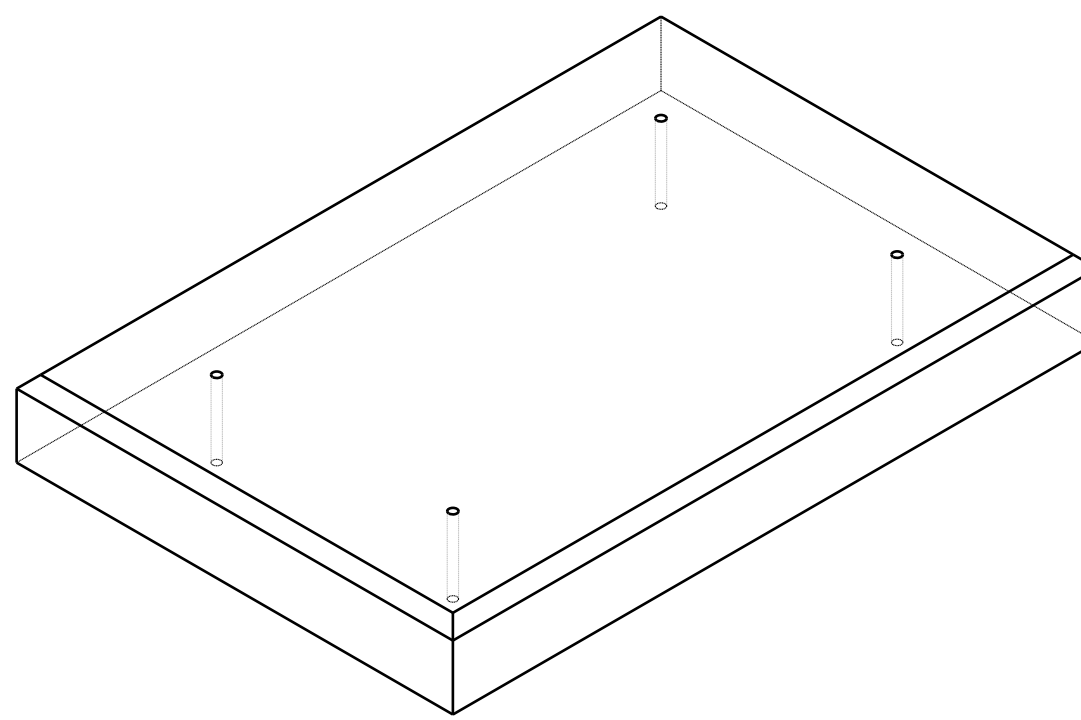
DRAWING NUMBER
F16021806

SHEET
1/1

This drawing is our property; it can't be reproduced or communicated without our written agreement.

I	-
H	-
G	-
F	-
E	-
D	-
C	-
B	-
A	18/02/2016

H G B A



DESIGNED BY:
Tom Erik Forshaug
DATE:
18/02/2016

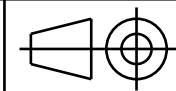
Undertak

Enkel humlekasse



HusHageHobby.no

SIZE
A3



SCALE
1:1

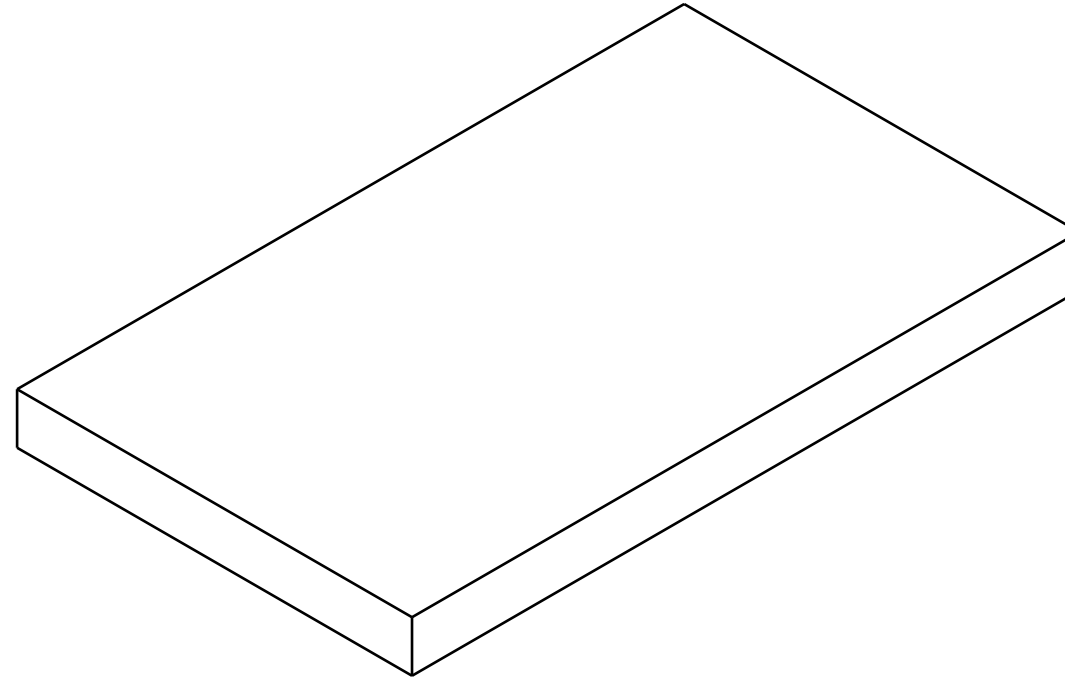
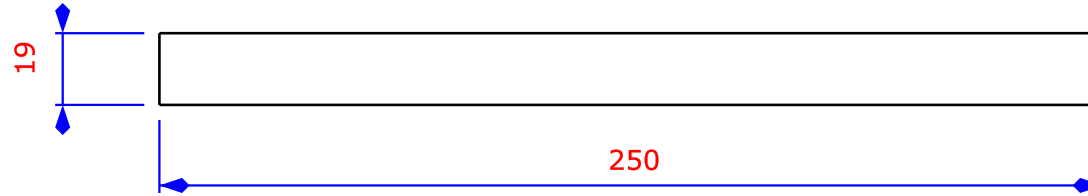
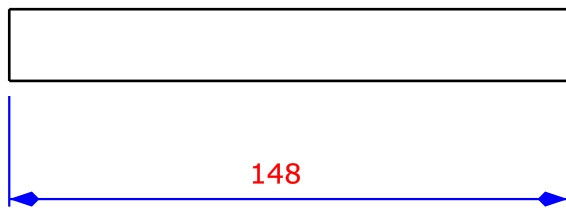
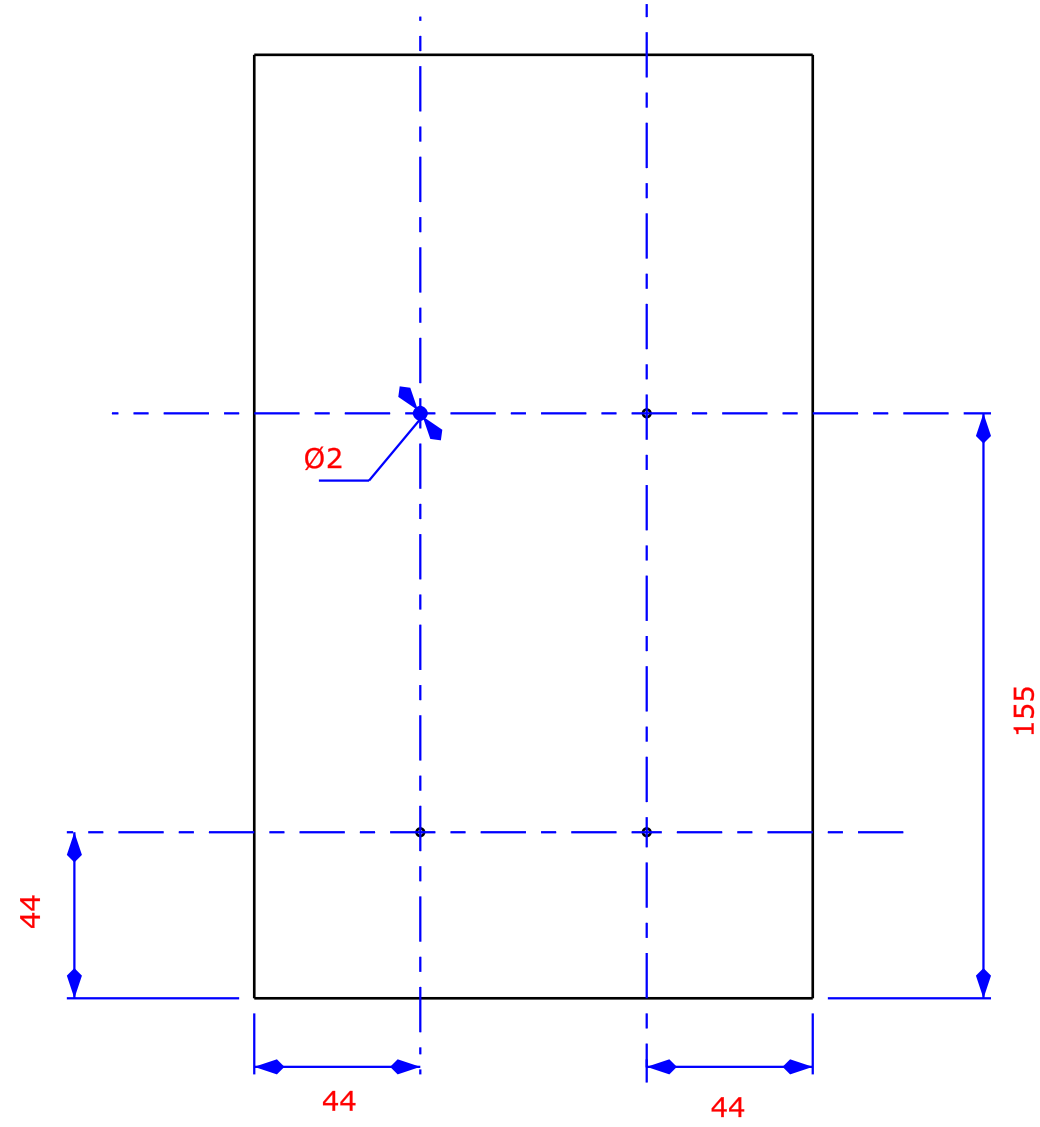
WEIGHT (kg)

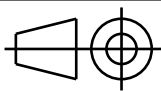
DRAWING NUMBER
F16021808

SHEET
1/1

This drawing is our property; it can't be reproduced or communicated without our written agreement.

I	-
H	-
G	-
F	-
E	-
D	-
C	-
B	-
A	18/02/2016



DESIGNED BY: Tom Erik Forshaug		Tak	HusHageHobby.no
DATE: 18/02/2016			
SIZE A3		DRAWING NUMBER F16021809	SHEET 1/1
SCALE 1:2	WEIGHT (kg)		

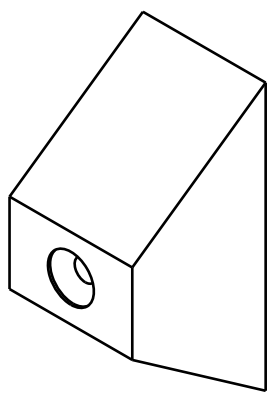
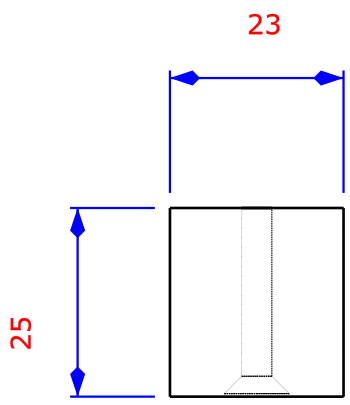
Enkelt humlehus		I -
		H -
		G -
		F -
		E -
		D -
		C -
		B -
		A 18/02/2016

This drawing is our property; it can't be reproduced or communicated without our written agreement.

H G F E D C B A

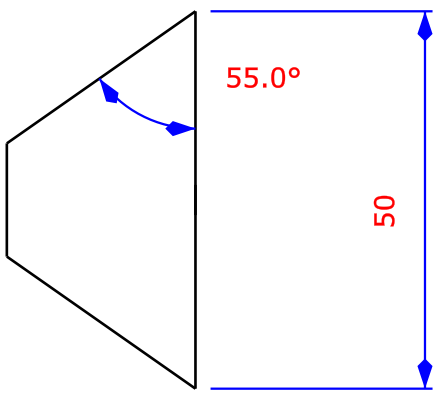
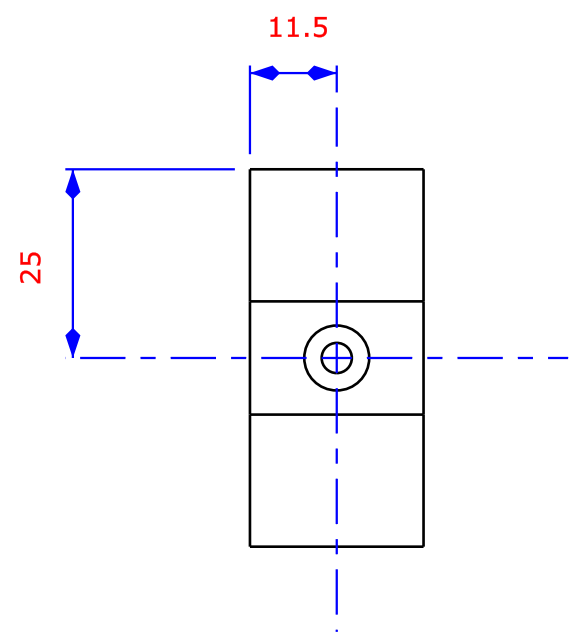
4

4



3

3



2


2

1

1

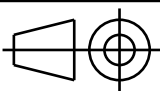
DESIGNED BY:
Tom Erik Forshaug
DATE:
10/03/2016

Føtter



HushageHobby.no

I	-
H	-
G	-
F	-
E	-
D	-
C	-
B	-
A	10/03/2016

SIZE A3		Enkel humlekasse	
SCALE 1:1	WEIGHT (kg)	DRAWING NUMBER F16031001	SHEET 1/1

This drawing is our property; it can't be reproduced or communicated without our written agreement.

H G B A